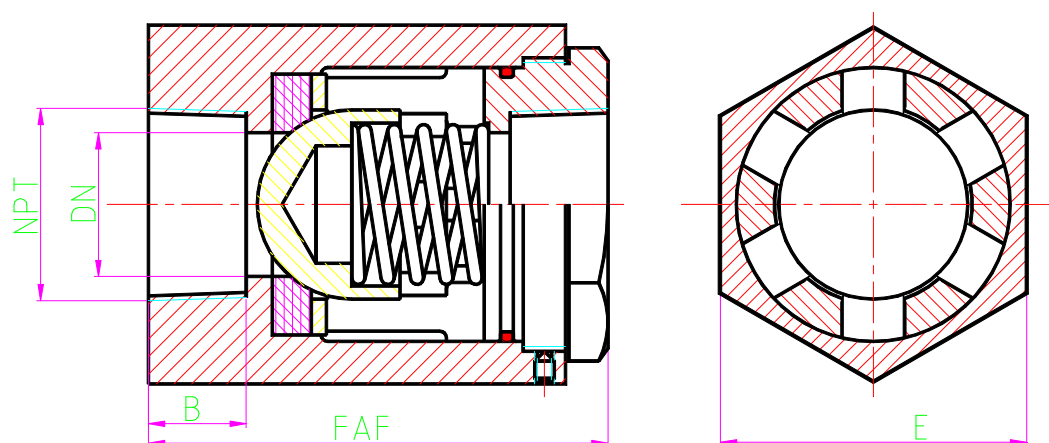


# CLAPET DE NON-RETOUR A BILLE

## *Non return ball valve*

### Serie 800 p.s.i.



DN	8 1/4"	10 3/8"	15 1/2"	20 3/4"	25 1"	32 1 1/4"	40 1 1/2"
FAF	70	70	75	85	95	105	115
B	10	12	15	15	18	22	25
E	32	36	41	50	60	75	90
Poids	0,42	0,50	0,75	1,2	2,1	3,5	5,6

#### Type

Clapet à bille - *Ball* DN ≤ 25  
 Clapet à piston / *Piston valve* DN ≥ 32  
 Montage toutes positions / *Set up in all position*  
 Corps démontable / *Dismantling body*.

#### Etanchéité / *Tightness*

Siège / *Seat* métal/métal  
 PTFE

#### Pression / *Pressure*

Service / *Working pressure* : 56,25 bar  
 Résistance / *Shell test* : 85 bar  
 Etanchéité / *Seat test* : 62 bar

#### Matériaux / *Material*

Corps / *Body* Aluminium Bronze  
 Bille ou piston / *Ball* Aluminium Bronze  
 Ressort / *Spring* Béryllium Bronze  
 Inconel  
 Siège / *Seat* Cestidur  
 Joint / *O' Ring* Nitrile

*Autres matériaux sur demande*  
*Other material on request*

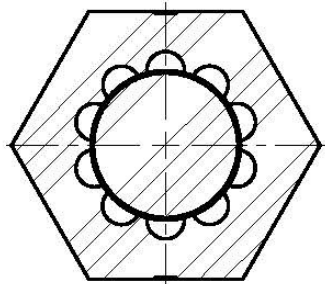
#### Raccordements / *Connections*

Taraudage NPT / *NPT threaded end*

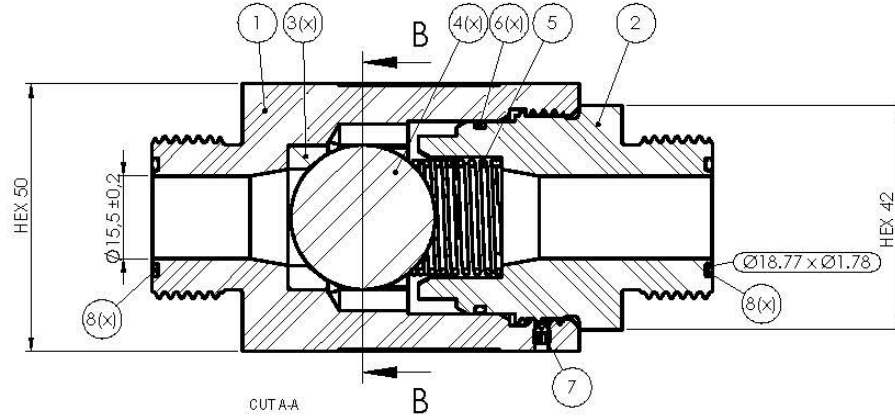
Ces données sont indicatives et peuvent être modifiées sans préavis

Edition 01/06

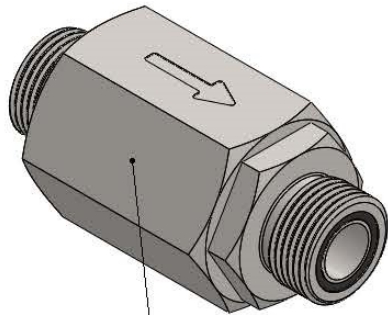




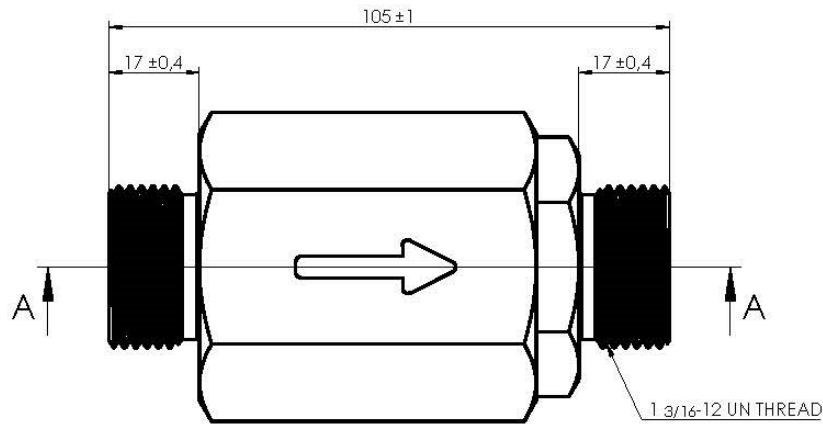
CUT B-B



CUT A-A



Marking area:  
Equipment code  
Serial number



REP	QTY	ITEM REFERENCE	DESCRIPTION	MATERIAL	QBS
1	1	0 50 0093 2212 015	BODY	ASTMAA479 316/316L	□ □
2	1	0 50 0094 2212 015	END	ASTMAA479 316/316L	□ □
3(x)	1	0 50 0083 CBST020	SEAT	PE UHAMM	□ □
4(x)	1	0 99 7687 2212	BALL	SS 316/316L	□ □
5	1	0 50 0095 12R1 020	SPRING	X10CrNi18-8 (A61302)	□ □
6(x)	1	900 1966 851	O'RING	NITRILE 80 SHORE	□ □
7	1	900 8373 H622	SETSCREW	A2	
8(x)	2	900 2590 851	O'RING	NITRILE 80 SHORE	□ □

(x) : SPARE PARTS  
 □ : PARTS IN CONTACT WITH FLUID  
 ○ : PARTS SUBJECTS TO PRESSURE

Characteristics:  $\Delta$ B

- Max. pressure / Max. temperature : 15,9 barg / 60°C
- Max. pressure / Min. temperature : 1,6 barg / 5°C
- Fluid : fresh water
- Face to face : manufacturer standard
- Ends : ORFS according to ISO 8434-3
- Cracking pressure : 0,2 barg  $\pm$  20%
- Hydrostatic test : 24 barg for 5 min  
acceptance criteria : no leak  
no permanent deformation
- Seat test : 17,6 barg for 5 min  
acceptance criteria : no leak  
no permanent deformation

REV.	DATE	ISSUED BY	CHECKED BY	DESCRIPTION	ZONE
B	19/05/2021	ST	AMO	SUPPRESSION OF Y STRAINER	E2
A	19/01/2001	VDC	ST	CREATION	

REVISIONS

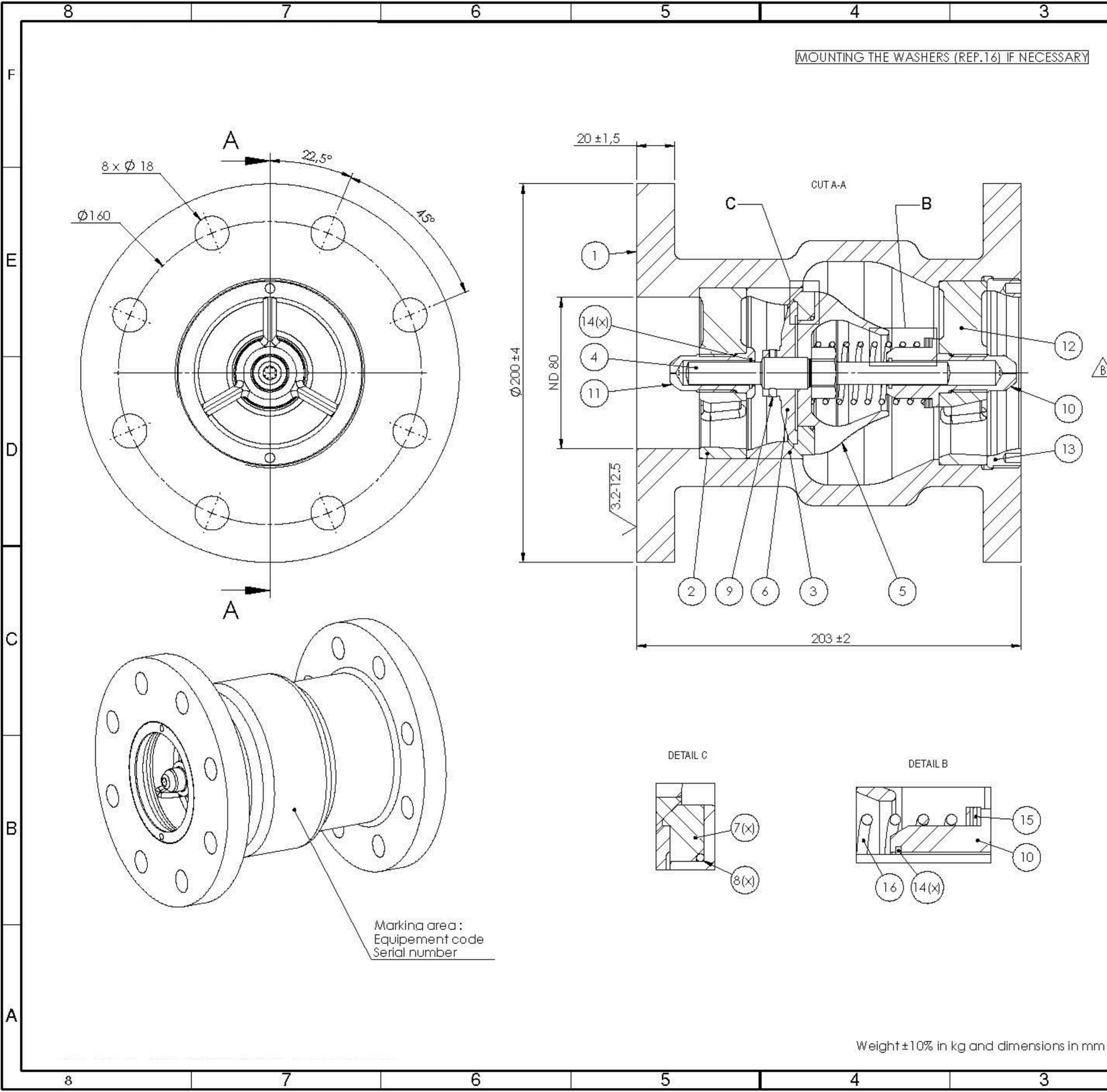
IMPORTANT:  
 This document is the property of COYARD.  
 It shall not be disclosed to third parties or reproduced without  
 permission of the owner  
 Modifications shall be approved by design department



**NON RETURN BALL VALVE**  
**DN15 (1/2") - PN16**

File Name: 2041706SGPGP015	Weight: <b>1.10 kg</b>
Créé par VDC	Créé le 19/01/2021
Drawing N°	Scale 1:1
<b>2041706SGPGP015</b>	Size A3
	Sheet 1/1
	REV: <b>B</b>

Weight  $\pm$  10% in kg and dimensions in mm



REP	QTY	ITEM REFERENCE	DESCRIPTION	OBS
1	1	0 07 90 43 2212 080	BODY	<input type="checkbox"/> <input type="checkbox"/>
2	1	0 07 90 06 2212 080	INPUT HUB	<input type="checkbox"/> <input type="checkbox"/>
3	1	0 07 90 08 2212 080	SEAT	<input type="checkbox"/> <input type="checkbox"/>
4	1	0 07 90 12 2212 080	STEM	<input type="checkbox"/> <input type="checkbox"/>
5	1	0 07 90 13 2212 080	VALVE DEFLECTOR	<input type="checkbox"/> <input type="checkbox"/>
6	1	0 07 90 23 2212 080	VALVE NUT	<input type="checkbox"/> <input type="checkbox"/>
7(x)	1	0 07 90 15 CBST 080	VALVE SEAL	<input type="checkbox"/> <input type="checkbox"/>
8(x)	1	900 8802 581	O'RING	<input type="checkbox"/> <input type="checkbox"/>
9	1	900 0823 NS22	PIN	<input type="checkbox"/> <input type="checkbox"/>
10	1	0 07 90 10 CBST 080	OUTPUT BEARING	<input type="checkbox"/> <input type="checkbox"/>
11	1	0 07 90 11 CBST 080	INPUT BEARING	<input type="checkbox"/> <input type="checkbox"/>
12	1	0 07 90 07 2212 080	OUTPUT HUB	<input type="checkbox"/> <input type="checkbox"/>
13	1	0 07 90 41 2212 080	BODY NUT	<input type="checkbox"/> <input type="checkbox"/>
14(x)	2	0 07 90 16 TEFL 080	SEGMENT	<input type="checkbox"/> <input type="checkbox"/>
15	4	0 07 90 40 2212 080	WASHER	<input type="checkbox"/> <input type="checkbox"/>
16	1	7 07 90 18 12 R1 080	SPRING	<input type="checkbox"/> <input type="checkbox"/>

(x) : SPARE PARTS  
 : PARTS IN CONTACT WITH FLUID  
 : PARTS SUBJECTS TO PRESSURE

- Characteristics :**
- Max. pressure / Max. temperature : 15.9 barg / 60°C
  - Max. pressure / Min. temperature : 16 barg / 5°C
  - Fluid : fresh water
  - Face to face : EN 558 (serie 3)
  - Flanges : EN 1092-1 type 21 A
  - Cracking pressure : 0.2 bar min
  - Hydrostatic test : 24 barg for 5 min  
 acceptance criteria : no leak  
 no permanent deformation
  - Seat test : 17.6 barg for 5 min  
 acceptance criteria : no leak

REV.	DATE	ISSUED BY	CHECKED BY	DESCRIPTION	ZONE
B	02/06/2021	AMO	ST	ITEM REFERENCE 16 CHANGE	D3
A	03/03/2021	AMO	ST	CREATION	

**COYARD**

IMPORTANT:  
 This document is the property of COYARD .  
 It shall not be disclosed to third parties or reproduced without  
 permission of the owner  
 Modifications shall be approved by design department

**NON RETURN VALVE  
 DN80 (3") - PN16**

File Name: 282630654L4L080	Weight: <b>16.94 kg</b>
Crée par : VDC	Crée le : 22/02/2021
Drawing N° <b>2826306S4L4L080</b>	Scale 1:2 Size A3 Sheet 1/1

REV:

Weight  $\pm$  10% in kg and dimensions in mm